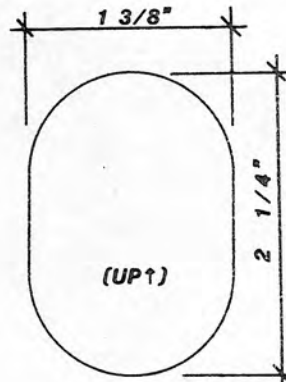
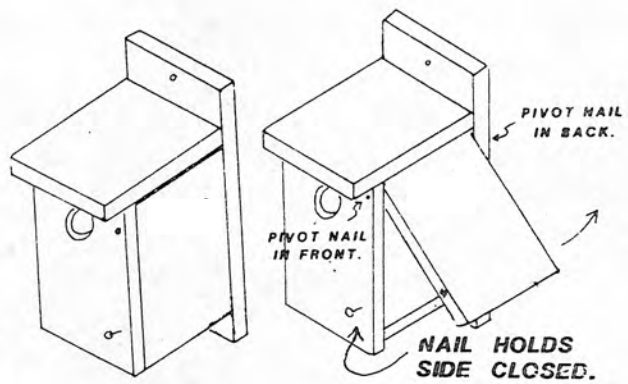
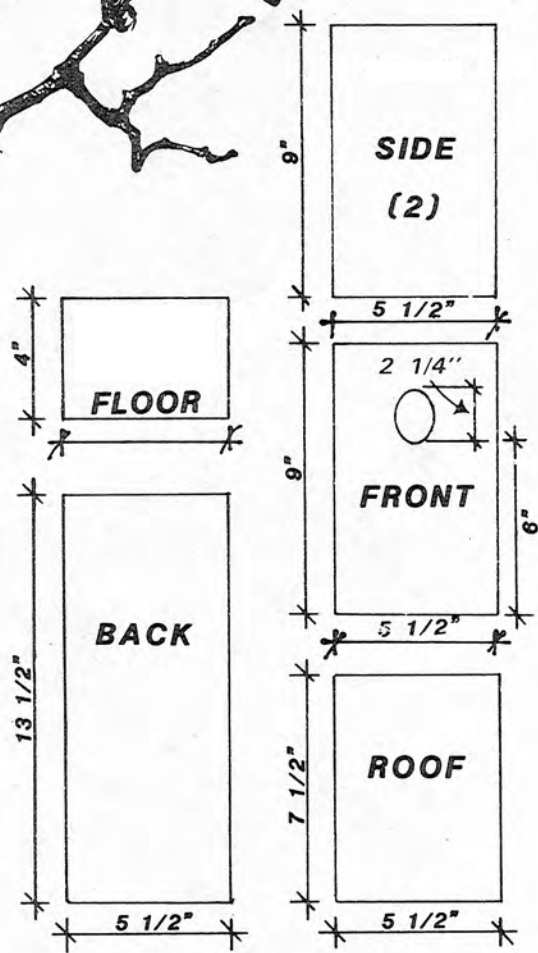


**FIGURE 4.**  
**TREE SWALLOW**  
**EASTERN BLUEBIRD**  
**GREAT CRESTED FLYCATCHER**  
**NEST BOX**



**NOTE:**  
 Entrance hole for  
 Great Crested  
 Flycatcher  
 should be a round  
 hole 1 3/4" <sup>in</sup>  
 in diameter

**NOTE:** Winneshiek County  
 Conservation uses and  
 recommends a 1.5" round  
 entrance hole in these  
 birdhouses.



TWO "PIVOT" NAILS ALLOW SIDE TO SWING  
 OUT FOR CLEANING.  
 USE ONE NAIL AT BOTTOM TO CLOSE SIDE.

**LUMBER:**  
 ONE 1" x 6" x 6'

